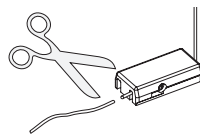
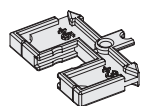


- ① Recommendation: DIN 7982 Ø 3.9 x 13 mm  
(for wooden and synthetic frames)
- ② Recommendation: DIN 7981 Ø 2.9 x 9.5 mm  
(for wooden and synthetic frames)
- Max. length of the screw = window moulding depth!

After having checked that the pleated blind functions as prescribed, the excess cord ends can be cut off.

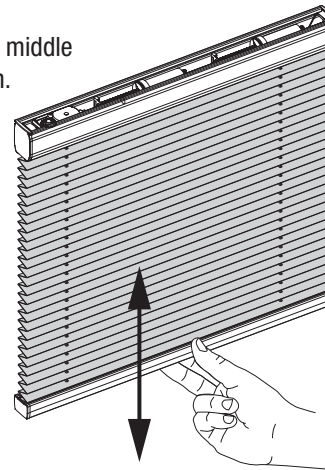


For fixing plates use mounting template (red) see separate sheet.

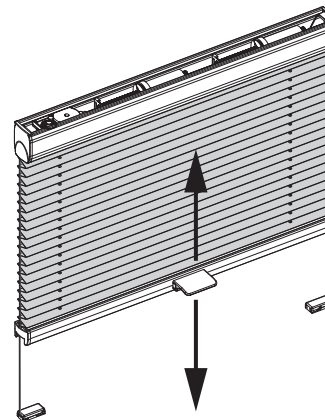


## Operation Model P1500

To open the blind:  
Push the bottom profile in the middle of the blind upwards as shown.  
If you take the hand away, the blind stays in the desired position.



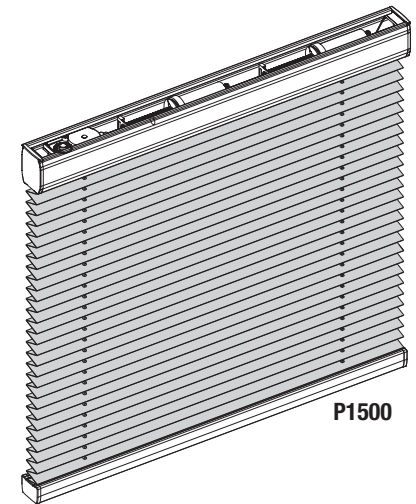
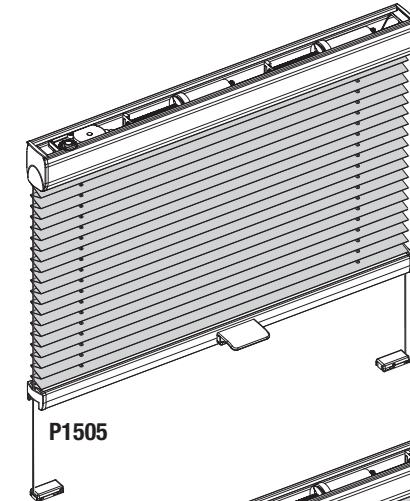
To close the blind:  
Pull the bottom profile in the middle of the blind down as shown.



## Operation Model P1505

These pleated blinds are closed and opened by moving the operating handle.

## Model P1500, P1505



## Care

Thanks to a special manufacturing process, our fabric qualities are furnished with an antistatic finish and are therefore resistant to dust and dirt. Occasional brushing with a soft brush or a feather duster is usually sufficient.

When cleaning glass and the window frame, make sure that no water or caustic cleaning agents come into contact with the pleated blind fabric.

No guarantee can be offered for damage to fabrics that is attributable to condensate, cleaning agents or soiling by insects.

### Dear Customer,

this dimensionally accurate blind was produced especially according to your requirements. High quality materials and a design that is perfect in function and elegance guarantee a long service lifetime and thus ensure great pleasure in the purchased product.

Your blind Manufacturer

**Please read this instructions carefully before fitting the blind.**

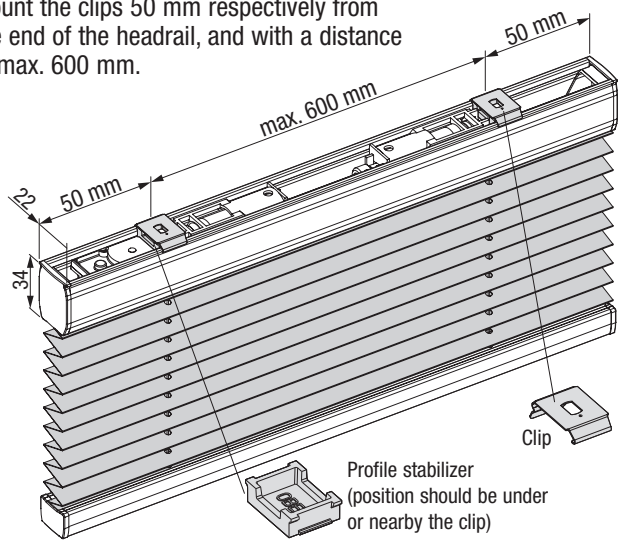
Blinds must be fitted by skilled personnel. Wrong installation may result in accidents.

Alterations of the blind must be approved by the blind manufacturer.

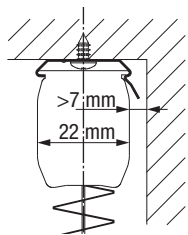
No screws for fixing are enclosed. Always use appropriate screws and plugs suited for the wall or ceiling material where the blind is fitted!

# Clip mounting

Mount the clips 50 mm respectively from the end of the headrail, and with a distance of max. 600 mm.

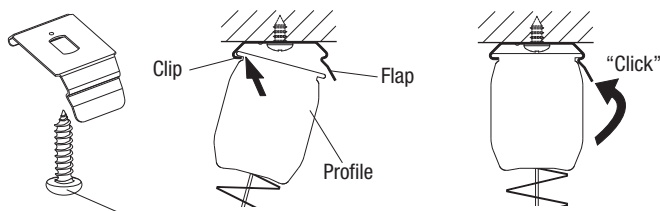


**Attention:** It is recommended to mount the clip with the flap forward (into the room). The clip can **only** be mounted with the flap toward the window or the pane respectively, in case the distance to the rail is **min. 7 mm**.



## Ceiling mounting with clip

Place the profile in the back edge of the clip and push the front of the profile upwards (till it clicks in).



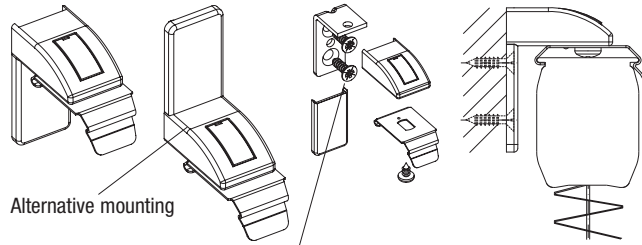
**Recommendation:** DIN 7981 Ø 3.9 x 16 mm (for wooden and synthetic frames)



When **dismounting**, push the flap of the clip upwards to be able to take the profile out of the clip.

# Mounting possibilities

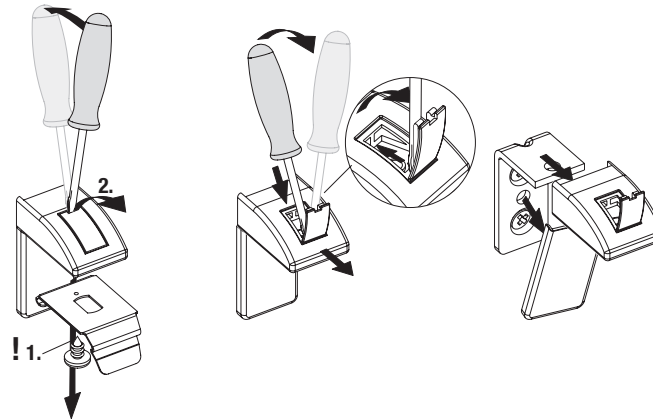
## Wall installation with mounting bracket and clip



**Recommendation:** DIN 7982 Ø 3.9 x 13 mm (for wooden and synthetic frames)

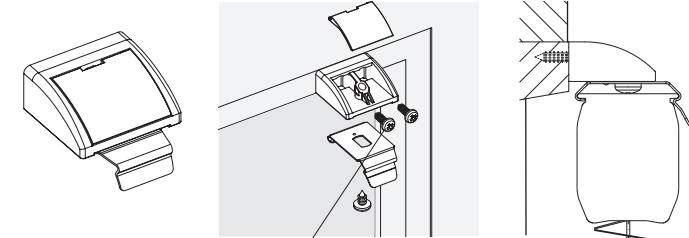


## Dismantle mounting bracket and clip



# Mounting possibilities

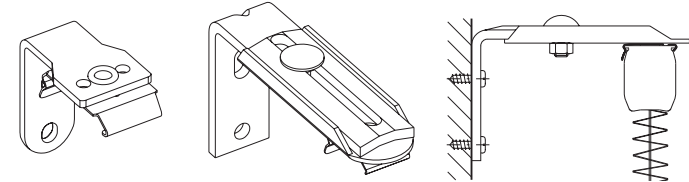
## Installing the window moulding with moulding locking strip and clip



**Recommendation:** DIN 7981 Ø 2.9 x 9.5 mm (for wooden and synthetic frames)



## Wall installation with fixed or adjustable wall mount and clip



## Mounting of tension cord bracket

Let down the blind and mark the position for the clamping shoe (always the outer edge of the blind). Screw on holding brackets, mounting bracket, window moulding or holding clamps. Pull out and extend the clamping shoe.

