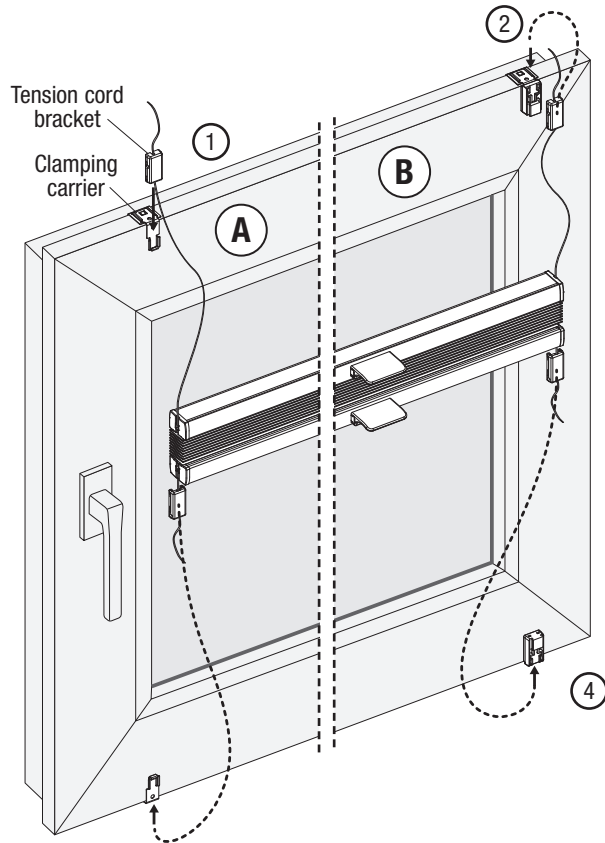


## Installation

### 5. Assemble pleat

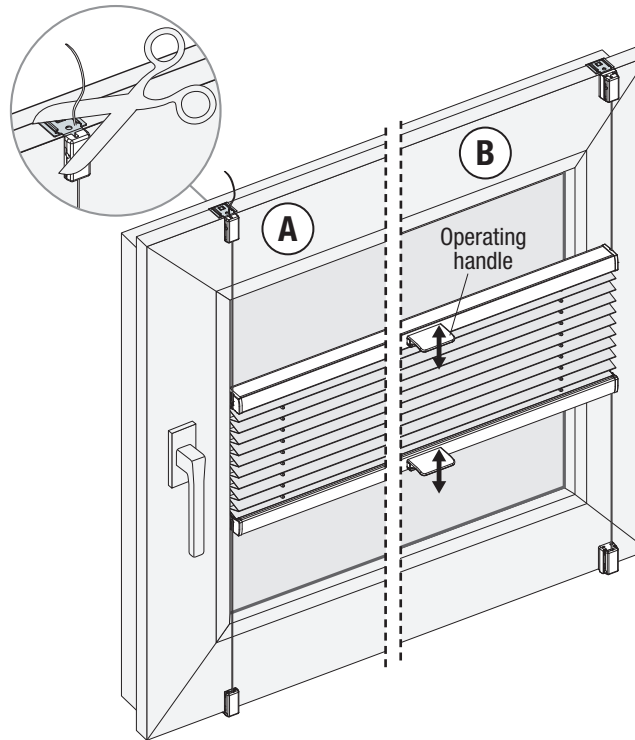
Slide the tension cord bracket onto the clamping carrier.



## Installation

### 6. Operate the pleats and check the function

The handle allows the pleats to move smoothly to any desired position. Après vérification du bon fonctionnement du store, les bouts de cordons excédentaires peuvent être coupés.



**Attention:** Adjustment of the cord tension must be uniform and may only be made by a professional!

## Care

Thanks to a special manufacturing process, our fabric qualities are furnished with an antistatic finish and are therefore resistant to dust and dirt.

Occasional brushing with a soft brush or a feather duster is usually sufficient.

When cleaning glass and the window frame, make sure that no water or caustic cleaning agents come into contact with the pleated blind fabric.

No guarantee can be offered for damage to fabrics that is attributable to condensate, cleaning agents or soiling by insects.

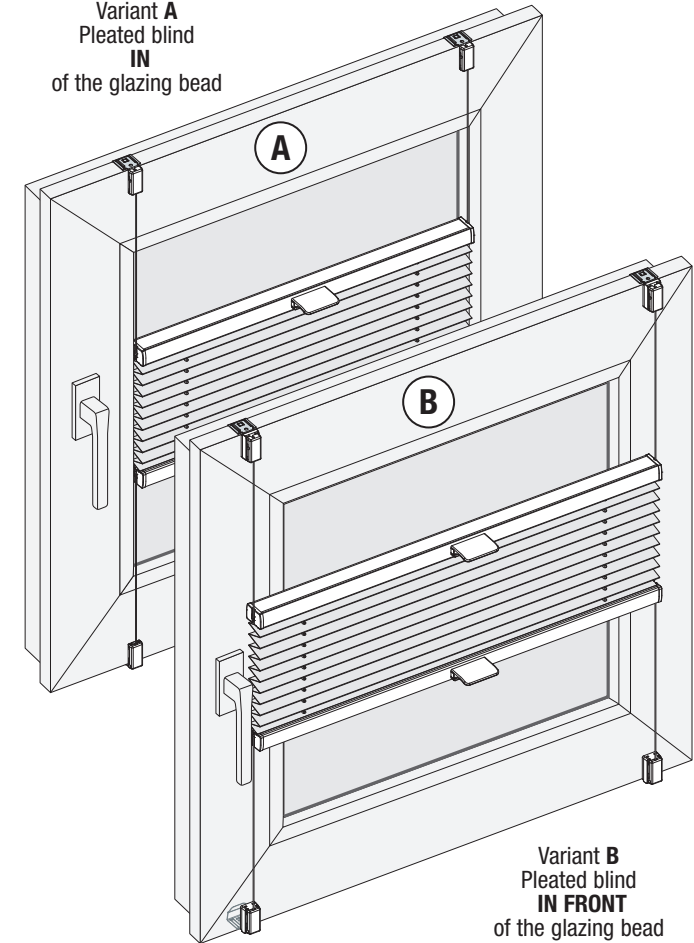
For further care information refer to the cleaning instructions.

© 2016 Benthin® · Misprints, errors and changes excepted · Version 30-06-2016 · 97000249

## Installation – Operation – Care

### Model P1614

Variant A  
Pleated blind  
**IN**  
of the glazing bead



Variant B  
Pleated blind  
**IN FRONT**  
of the glazing bead

**Dear Customer,**

this dimensionally accurate pleated blind was produced especially according to your requirements. High quality materials and a design that is perfect in function and elegance guarantee a long service lifetime and thus ensure great pleasure in the purchased product.

Your pleated blind Manufacturer



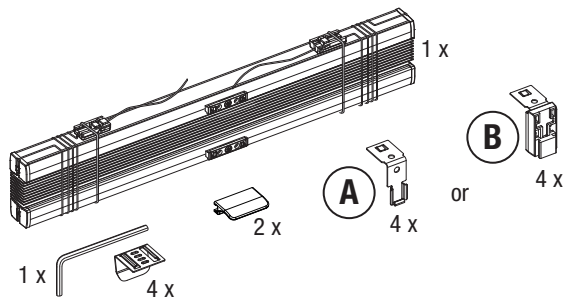
**Please read this instructions carefully before fitting the blind**



Blinds must be fitted by skilled personnel.  
Wrong installation may result in accidents.

Alterations of the blind must be approved by the blind manufacturer.

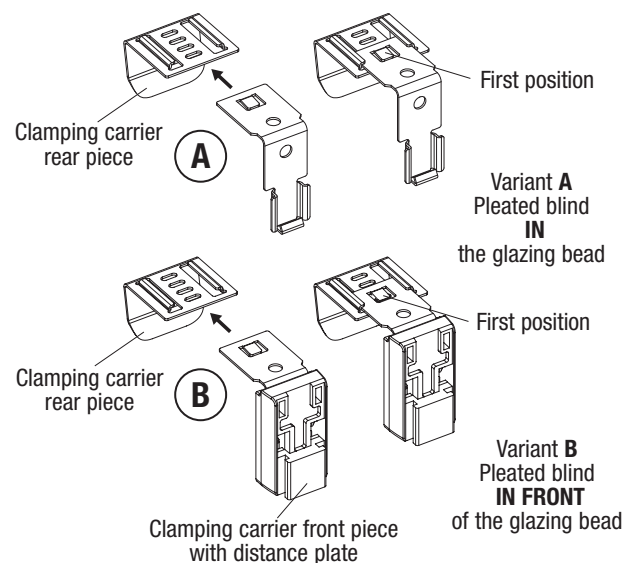
## Content



## Installation

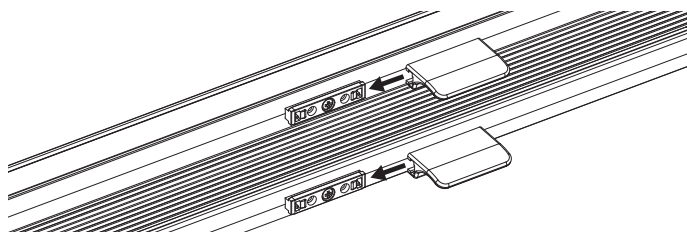
### 1. Prepare clamping carrier

Clip the front piece and rear piece of the clamping carrier together to the first position.



### 2. Mount handles.

Slide both handles sideways onto the adapter.

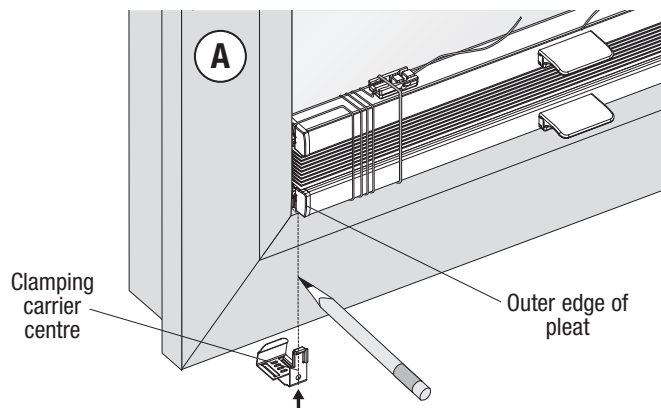


## Installation

### 2a. Determine the position of the clamping carrier

**Variant A:** Pleated blind **IN** the glazing bead  
Mark the setting width on the window frame.  
Outer edge of pleat = Centre of clamping carrier.

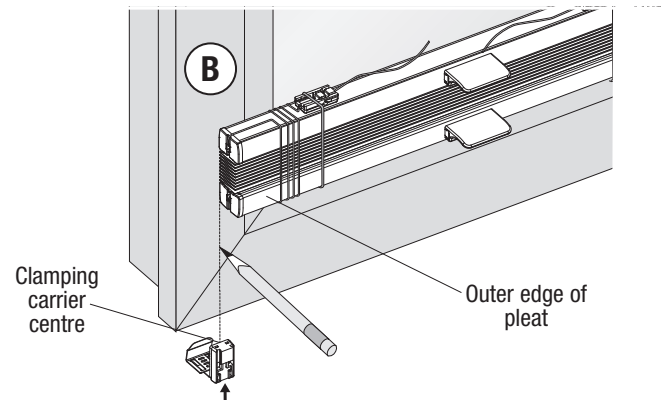
*Note:* The setting width can be easily determined by laying the pleat on the window, and marking the outer edge of the pleat.



### 2b. Determine the position of the clamping carrier

**Variant B:** Pleated blind **IN FRONT** of the glazing bead  
Mark the setting width on the window frame.  
Outer edge of pleat = Centre of clamping carrier.

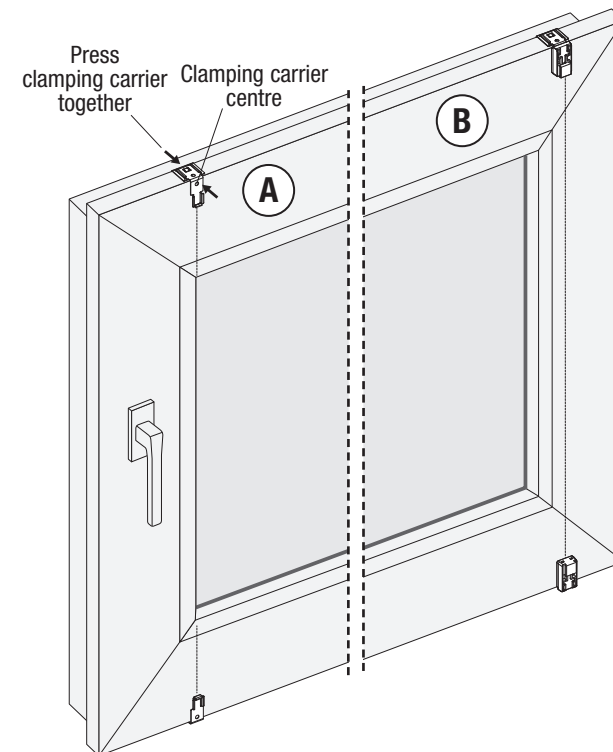
*Note:* The setting width can be easily determined by laying the pleat on the window, and marking the outer edge of the pleat.



## Installation

### 3. Assemble clamping carrier

Fit the clamping carrier to the marked position on the window frame and press together until it clicks.



### 4. Remove rubber band

and unwind the cord incl. tension cord bracket.

