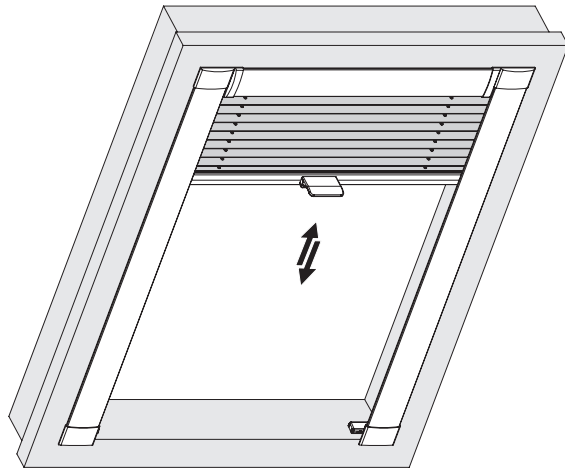
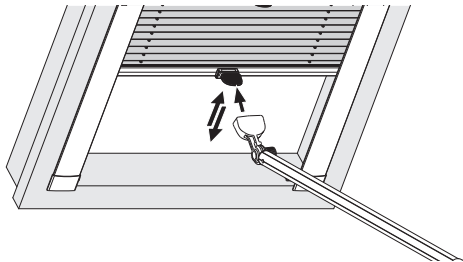


Pleated blind with stretched cords are operated by use of the finger grip.

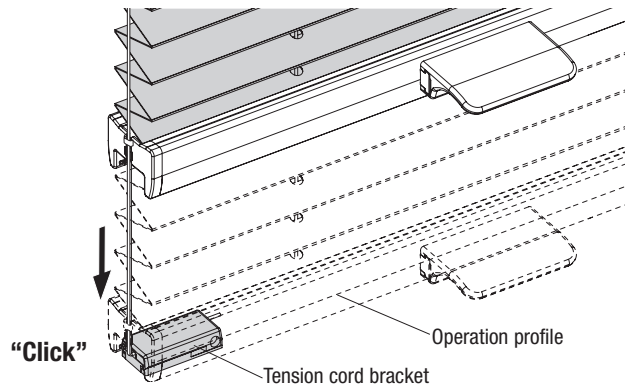


Attach the control rod to the operating handle.



Locking

Click the operation profile over the tension cord bracket.

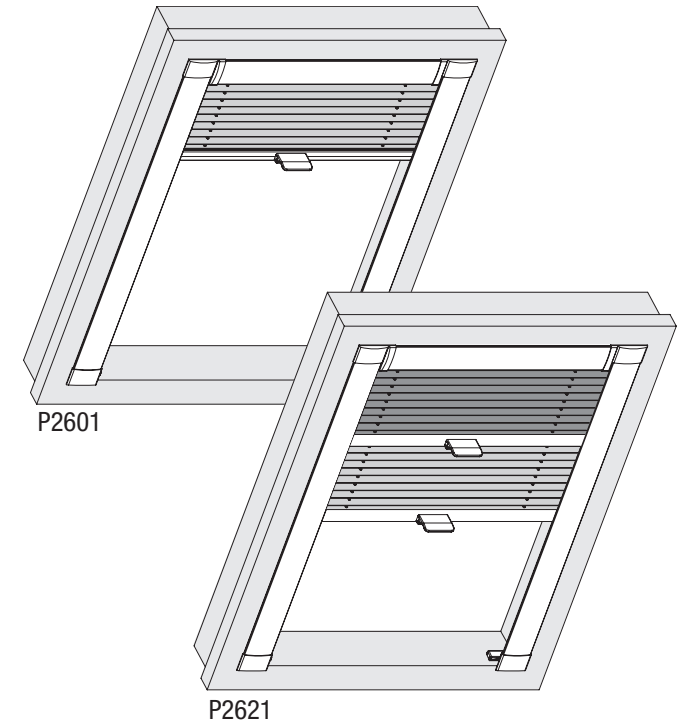


Thanks to a special manufacturing process, our fabric qualities are furnished with an antistatic finish and are therefore resistant to dust and dirt. Occasional brushing with a soft brush or a feather duster is usually sufficient.

When cleaning glass and the window frame, make sure that no water or caustic cleaning agents come into contact with the pleated blind fabric.

No guarantee can be offered for damage to fabrics that is attributable to condensation, cleaning agents or soiling by insects.

Model P2601, P2621



Dear Customer,

this dimensionally accurate pleated blind was produced especially according to your requirements. High quality materials and a design that is perfect in function and elegance guarantee a long service lifetime and thus ensure great pleasure in the purchased product.

Your pleated blind Manufacturer



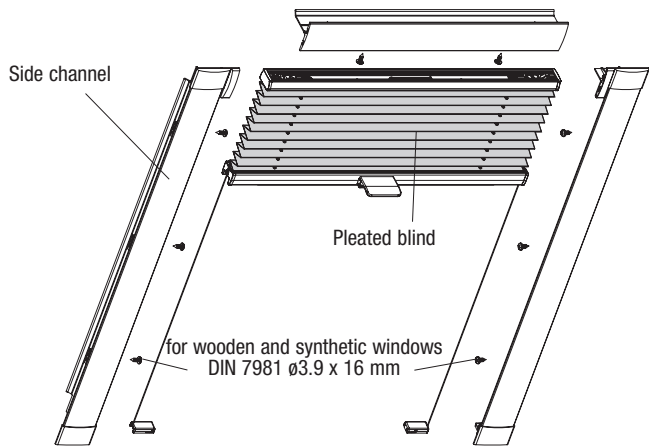
Please read this instructions carefully before fitting the blind



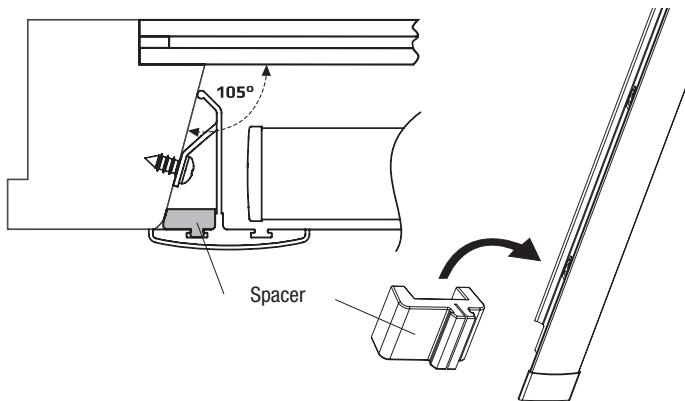
Blinds must be fitted by skilled personnel.
Wrong installation may result in accidents.
Alterations of the blind must be approved by the blind manufacturer.

No screws for fixing are enclosed.
Always use appropriate screws and plugs suited for the wall or ceiling material where the blind is fitted!

Mounting

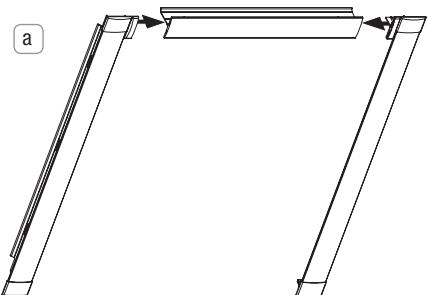


Information: The older window model GGU with 105° mortise requires the spacers supplied to be inserted into the running rail. Place the spacers near the screw.



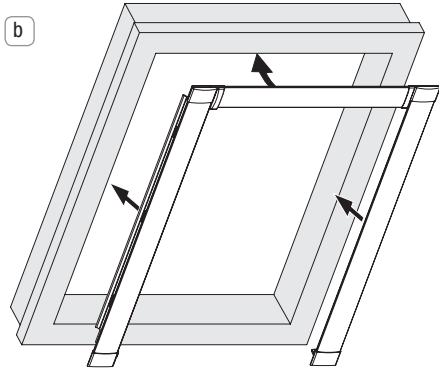
1. Mount the side channels

a) Join the two side channels and the top profile.



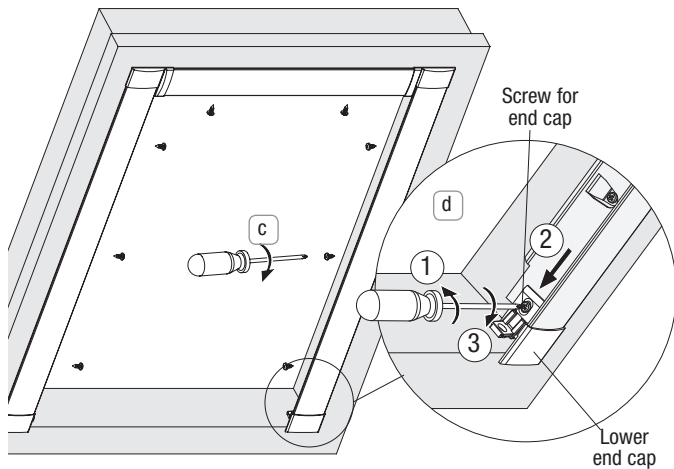
Mounting

b) Put the profiles into the window frame. The top profile must fit tightly at the top.



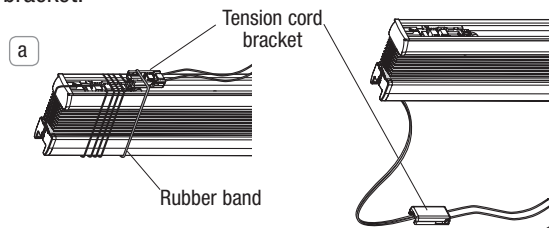
c) Fix the channels in the window frame.

d) Straighten the end caps at the bottom. Loosen the screws (1) and push the end caps to the edge of the window (2). Tighten the screws again (3).



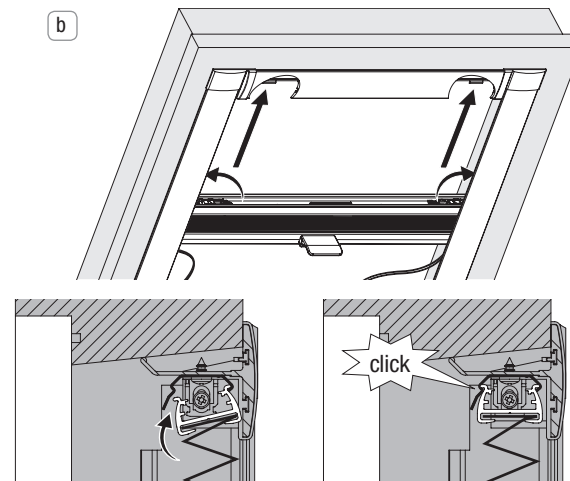
2. Mount the pleated blind

a) Remove rubber band and unwind the cord incl. tension cord bracket.

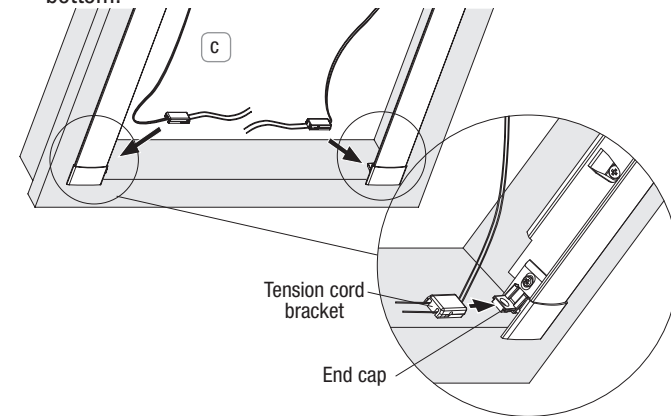


Mounting

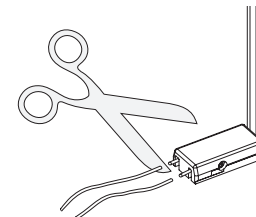
b) Lead the pleated blind behind the side channels and press upwards into the brackets.



c) Push the tension cord brackets over the end caps at the bottom.



After having checked that the pleated blind functions as prescribed, the excess cord ends can be cut off.



Attention: Adjustment of the cord tension must be uniform and may only be made by a professional.