

Mounting template - Tension feet

**Mount the fixing plates
by use of the mounting template.**

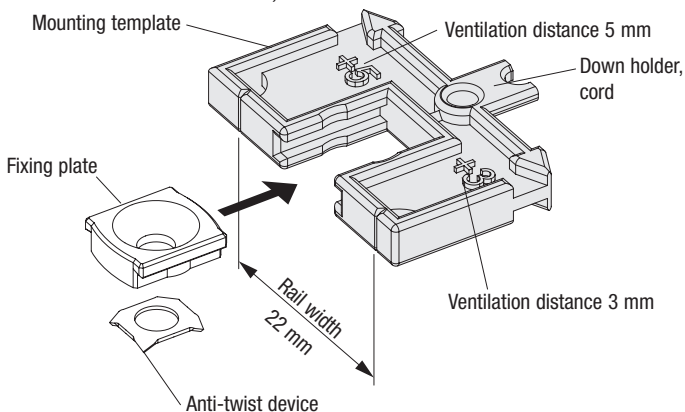


Attention: In order to avoid any glass damage, a minimum distance to the pane has to be kept!

Recommendation: Transparent fabric min. 3 mm ventilation distance.
Blackout fabric min. 5 mm ventilation distance.
Honeycomb fabric min. 20 mm ventilation distance.
(Special glass may according to instructions from the manufacturer require bigger distance).

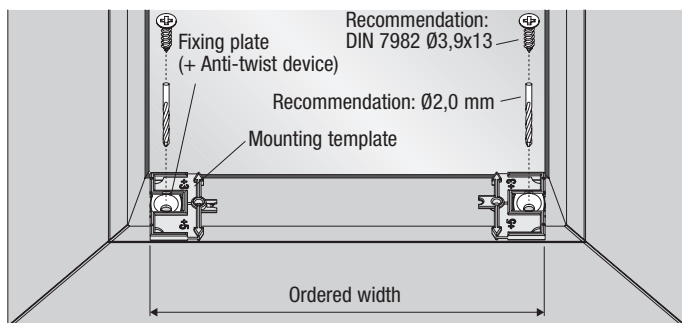
Push the fixing plate into the mounting template.

Attention: +5 and +3 respectively is the requested minimum distance to the pane (ventilation distance).



**Position the mounting template on the glazing bead
(directly against the pane).**

Pre-drill and fix the fixing plates.



Pull the mounting template from the fixing plate.

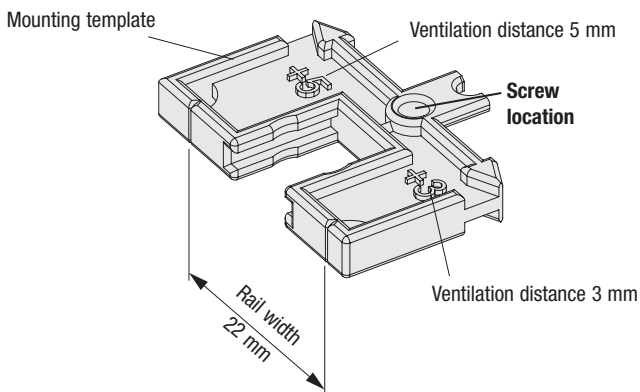
Mounting template - Clip

**Mount the clips
by use of the mounting template.**

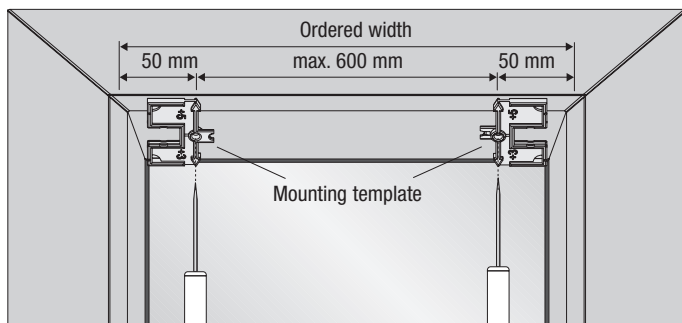


Attention: In order to avoid any glass damage, a minimum distance to the pane has to be kept!
Recommendation: Transparent fabric min. 3 mm ventilation distance.
Blackout fabric min. 5 mm ventilation distance.
Honeycomb fabric min. 20 mm ventilation distance.
(Special glass may according to instructions from the manufacturer require bigger distance).

Attention: **+5** and **+3** respectively is the requested minimum distance to the pane (ventilation distance).



**Position the mounting template on the glazing bead
(directly against the pane).
Spike the screw location.**



Remove the mounting template and fix the clips.