

# PLEATED BLINDS M

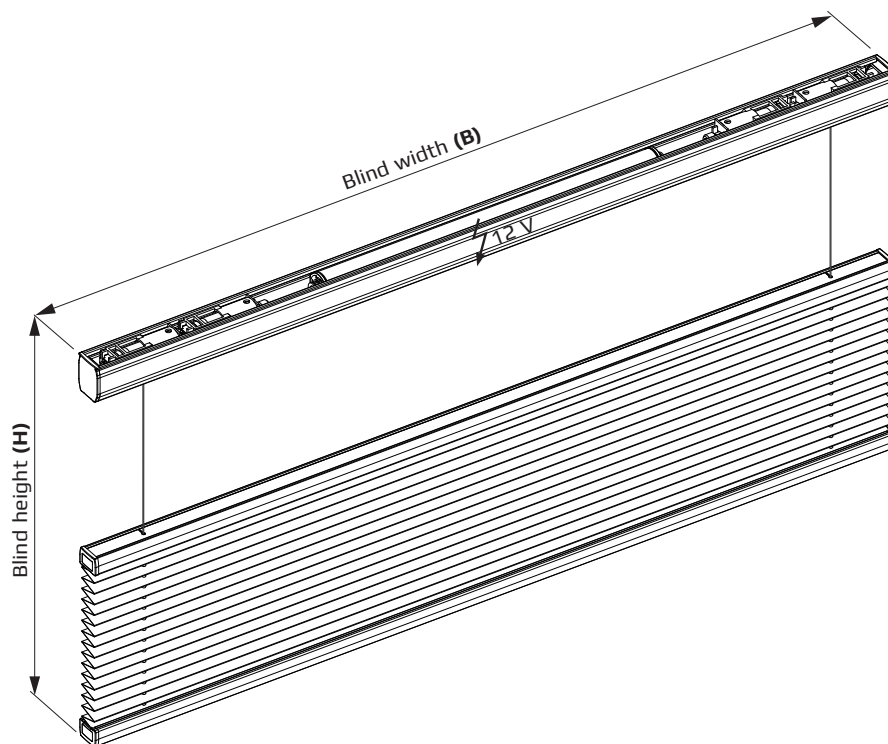
22 MM

## TDBU - Top down bottom up Motor



 BENTHIN

P1910 - TDBU - Free-hanging blind and motor operation and variable hanging.



**Dimensions/  
Pleated blind measures**

- **Blind width:** min. 0.70 m  
max. 4.00 m (depending on the hanging)
- **Blind height:** min. 0.20 m  
max. 2.60 m
- **Surface:** max. 5.70 m<sup>2</sup>
- **Hanging weight:** max. 4.20 kg

**Gear/Hardware**

- Pleated fabric between two profile rails
- Fabric hangings can be stopped at any position by means of a cord brake
- Closed cord system
- Pull cord made from polyester yarn, diameter of 1.2 mm
- Plastic parts made from high quality, temperature resistant and abrasion-resistant plastic

**Engine specifications**

- **TDBU - Brel BJE24TD / Dooya DV24AF/TD**  
Central drive with integrated brake and minimal generation of noise.
  - Voltage rating: **12 V DC** • Measurement: Ø24 x 320 mm • Connection cable with plug
  - Nominal torque: 2 x 0.6 Nm • Rated speed: 34 min<sup>-1</sup> / 30 min<sup>-1</sup> • Power capacity: 8 W / 28 W
  - Max. power consumption: 0.63 A / 2.28 A • Operating temperature: 0 bis +40 °C
  - Type of protection: IP20.

**Upper rail**

- **Width:** 27 mm
- **Height:** 34,5 mm

**Bottom rail**

- **Width:** 22 mm
- **Height:** 16 mm
- Aluminium extruded (Al Mg Si 0.5 F22)
- Hole punch (Ø6.0 mm) equipped with abrasion-resistant plastic cord lugs

**Colours**

- **Profile rail:** Technically anodized in accordance with E6/EV1 in silver, black (E6-C35) and bronze (E6-C32) or powder-coated in white (RAL 9016), beige (RAL 1015) and dark grey (DB 703)
- Visible **plastic parts** adapted to the profile colours in grey, black, bronze, white, beige or dark grey

**Fabric**

- Pleated fabric hangings • 20 mm pleat width • visible drilled hole (Ø3.5 mm) for cord guiding
- Honeycomb fabrics • 25 mm width • invisible drilled hole (Ø3.5 mm) for cord guiding
- Distance between the cords 0.28 or 0.90 m (dependent on the fabric)

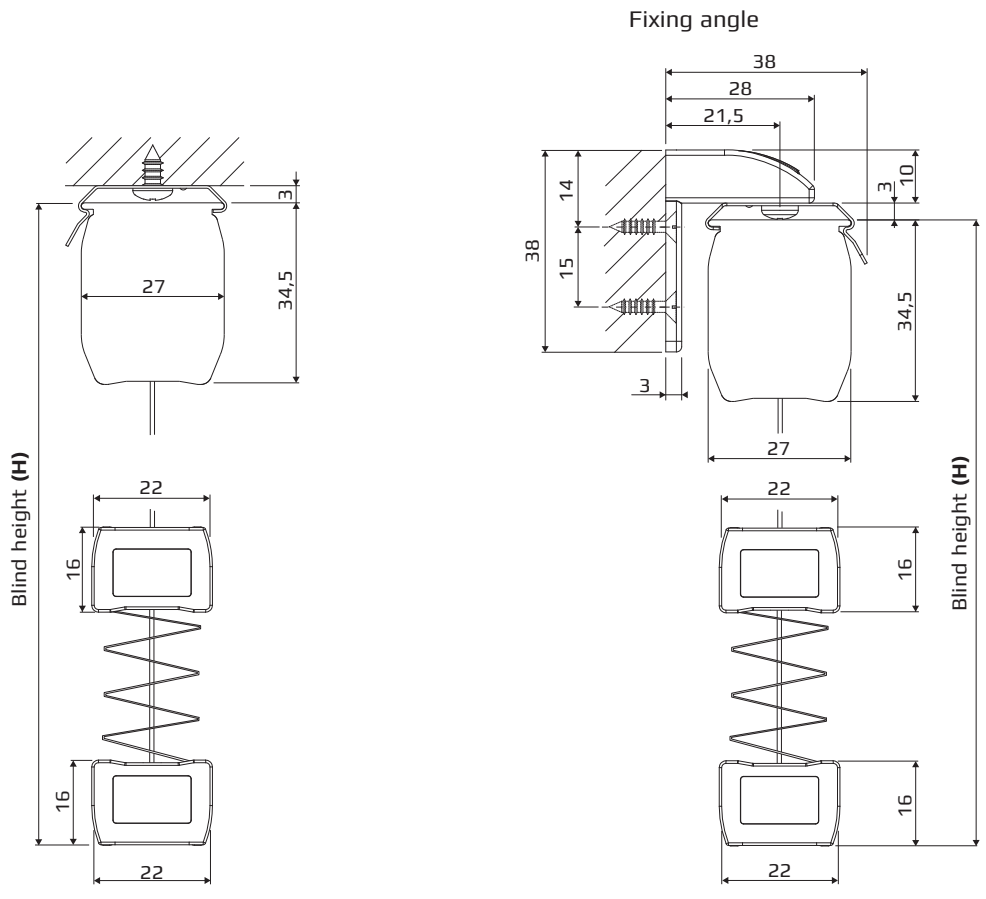
**Mounting**

- **Fixing of the upper profile:**  
Screw the fixing bracket (V2A) directly into the window frame or glass strip (DIN 7981 Ø3.9 x 16 mm) or screw the fixing angle (with clip) onto the window frame (DIN 7982 Ø3.9 x 13 mm).

# Type P1910 - TDBU (top down bottom up Motor)

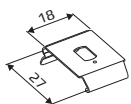
## Dimensions and Options

### Fixing

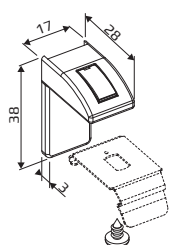


### Accessories

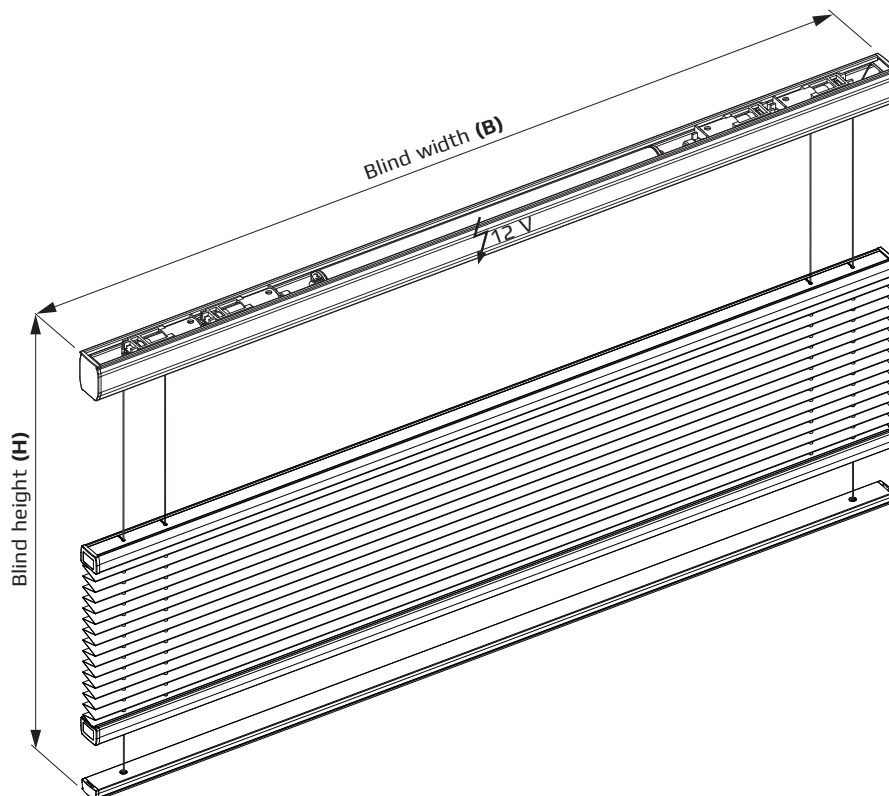
Ceiling clip



Fixing angle



P1912 - TDBU - Free-hanging blind and motor operation and variable hanging.  
incl. cord guiding with fixing profile.



**Dimensions/  
Pleated blind measures**

- **Blind width:** min. 0.73 m  
max. 4.00 m (depending on the hanging)
- **Blind height:** min. 0.20 m  
max. 2.60 m
- **Surface:** max. 5.70 m<sup>2</sup>
- **Hanging weight:** max. 4.20 kg
- **Inclination angle:** max. 15°

**Gear/Hardware**

- Pleated fabric between two profile rails
- Fabric hangings can be stopped at any position by means of a cord brake
- Closed cord system
- Pull cord made from polyester yarn, diameter of 1.2 mm
- Plastic parts made from high quality, temperature resistant and abrasion-resistant plastic

**Engine specifications**

- **TDBU - Brel BJE24TD / Dooya DV24AF/TD**  
Central drive with integrated brake and minimal generation of noise.
- Voltage rating: **12 V DC** • Measurement: Ø24 x 320 mm • Connection cable with plug
- Nominal torque: 2 x 0.6 Nm • Rated speed: 34 min<sup>-1</sup> / 30 min<sup>-1</sup> • Power capacity: 8 W / 28 W
- Max. power consumption: 0.63 A / 2.28 A • Operating temperature: 0 bis +40 °C
- Type of protection: IP20.

**Upper rail**

- **Width:** 27 mm
- **Height:** 34,5 mm

**Bottom rail**

- **Width:** 22 mm
- **Height:** 16 mm

**Fixing profile**

- **Width:** 20 mm
- **Height:** 13 mm
- Aluminium extruded (Al Mg Si 0.5 F22)
- Hole punch (Ø6.0 mm) equipped with abrasion-resistant plastic cord lugs

**Colours**

- **Profile rail:** Technically anodized in accordance with E6/EV1 in silver, black (E6-C35) and bronze (E6-C32) or powder-coated in white (RAL 9016), beige (RAL 1015) and dark grey (DB 703)
- Visible **plastic parts** adapted to the profile colours in grey, black, bronze, white, beige or dark grey

**Fabric**

- Pleated fabric hangings • 20 mm pleat width • visible drilled hole (Ø3.5 mm) for cord guiding
- Honeycomb fabrics • 25 mm width • invisible drilled hole (Ø3.5 mm) for cord guiding
- Distance between the cords 0.28 or 0.90 m (dependent on the fabric)

**Mounting**

- **Fixing of the upper profile and fixing profile:**  
Screw the fixing bracket (V2A) directly into the window frame or glass strip (DIN 7981 Ø3.9 x 16 mm) or screw the fixing angle (with clip) onto the window frame (DIN 7982 Ø3.9 x 13 mm).

**Cord guiding:**

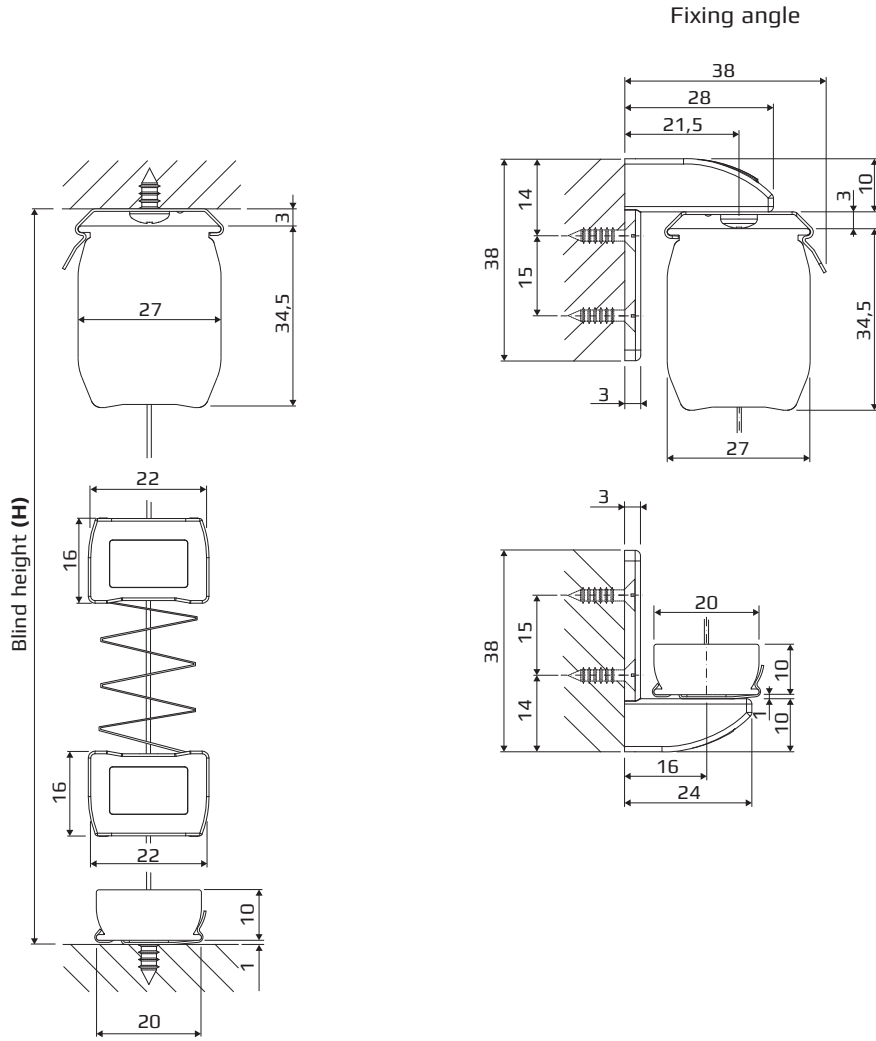
- Even if the window is tilted, the hangings run between two ropes (Ø1.2 mm polyester yarn with kevlar core, 16 cords) parallel to the casement.

# Type P1912 - TDBU (top down bottom up Motor)

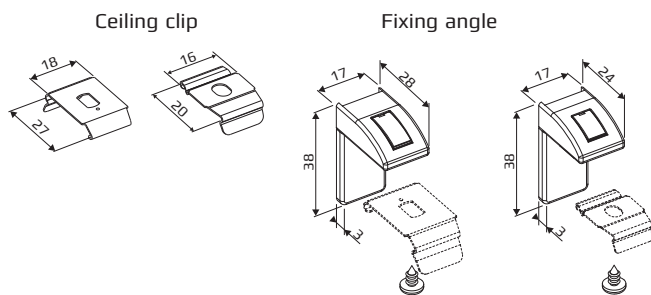
## Dimensions and Options



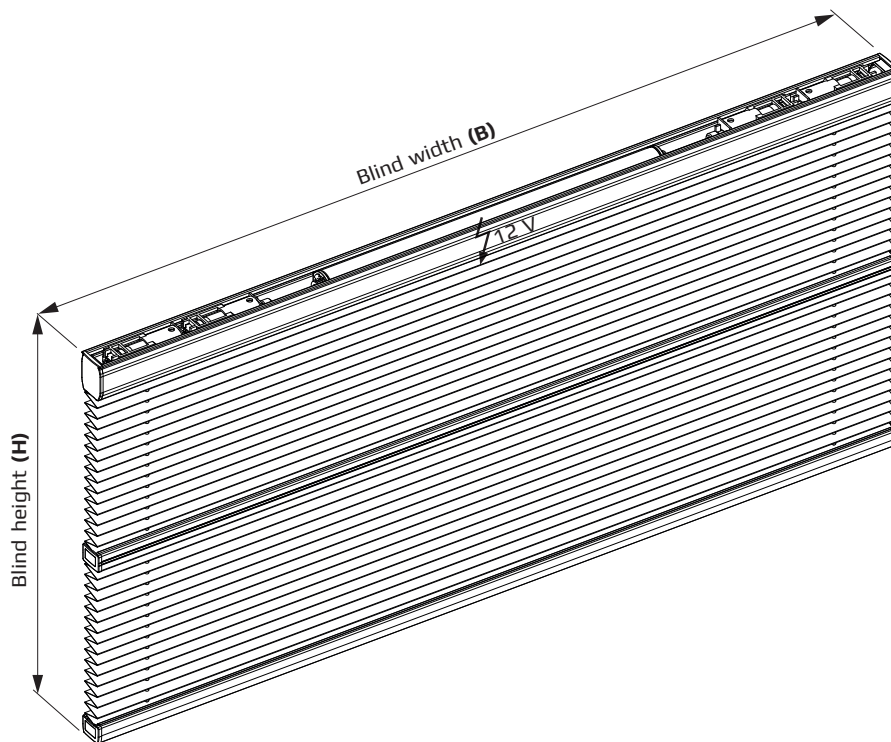
### Fixing



### Accessories



P1920 - TDBU - Free-hanging blind and motor operation and two hangings.



**Dimensions/  
Pleated blind measures**

- **Blind width:** min. 0.70 m  
max. 4.00 m (depending on the hanging)
- **Blind height:** min. 0.20 m  
max. 2.60 m
- **Surface:** max. 5.70 m<sup>2</sup>
- **Hanging weight:** max. 4.20 kg

**Gear/Hardware**

- Pleated fabric between two profile rails
- Fabric hangings can be stopped at any position by means of a cord brake
- Closed cord system
- Pull cord made from polyester yarn, diameter of 1.2 mm
- Plastic parts made from high quality, temperature resistant and abrasion-resistant plastic

**Engine specifications**

- **TDBU - Brel BJE24TD / Dooya DV24AF/TD**  
Central drive with integrated brake and minimal generation of noise.
  - Voltage rating: **12 V DC** • Measurement: Ø24 x 320 mm • Connection cable with plug
  - Nominal torque: 2 x 0.6 Nm • Rated speed: 34 min<sup>-1</sup> / 30 min<sup>-1</sup> • Power capacity: 8 W / 28 W
  - Max. power consumption: 0.63 A / 2.28 A • Operating temperature: 0 bis +40 °C
  - Type of protection: IP20.

**Upper rail**

- **Width:** 27 mm
- **Height:** 34,5 mm

**Bottom rail/  
Center profile**

- **Width:** 22 mm
- **Height:** 16 mm
- Aluminium extruded (Al Mg Si 0.5 F22)
- Hole punch (Ø6.0 mm) equipped with abrasion-resistant plastic cord lugs

**Colours**

- **Profile rail:** Technically anodized in accordance with E6/EV1 in silver, black (E6-C35) and bronze (E6-C32) or powder-coated in white (RAL 9016), beige (RAL 1015) and dark grey (DB 703)
- Visible **plastic parts** adapted to the profile colours in grey, black, bronze, white, beige or dark grey

**Fabric**

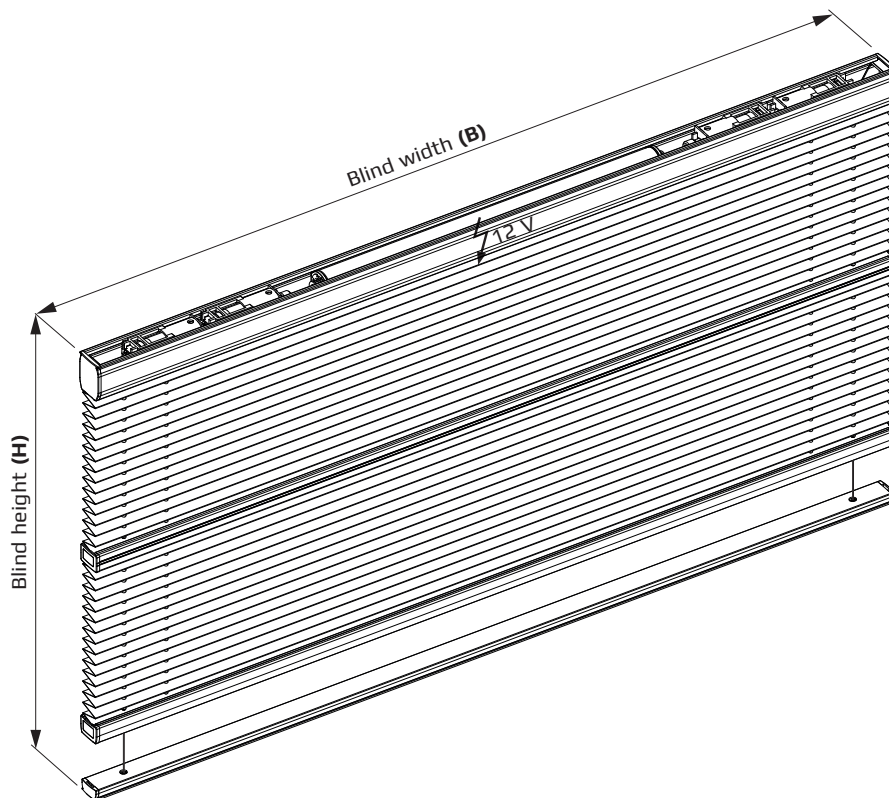
- Pleated fabric hangings • 20 mm pleat width • visible drilled hole (Ø3.5 mm) for cord guiding
- Honeycomb fabrics • 25 mm width • invisible drilled hole (Ø3.5 mm) for cord guiding
- Distance between the cords 0.28 or 0.90 m (dependent on the fabric)

**Mounting**

- **Fixing of the upper profile:**  
Screw the fixing bracket (V2A) directly into the window frame or glass strip (DIN 7981 Ø3.9 x 16 mm) or screw the fixing angle (with clip) onto the window frame (DIN 7982 Ø3.9 x 13 mm).



P1922 - TDBU - Free-hanging blind and motor operation and two hangings.  
incl. cord guiding with fixing profile.



**Dimensions/  
Pleated blind measures**

- **Blind width:** min. 0.73 m  
max. 4.00 m (depending on the hanging)
- **Blind height:** min. 0.20 m  
max. 2.60 m
- **Surface:** max. 5.70 m<sup>2</sup>
- **Hanging weight:** max. 4.20 kg
- **Inclination angle:** max. 15°

**Gear/Hardware**

- Pleated fabric between two profile rails
- Fabric hangings can be stopped at any position by means of a cord brake
- Closed cord system
- Pull cord made from polyester yarn, diameter of 1.2 mm
- Plastic parts made from high quality, temperature resistant and abrasion-resistant plastic

**Engine specifications**

- **TDBU - Brel BJE24TD / Dooya DV24AF/TD**  
Central drive with integrated brake and minimal generation of noise.
  - Voltage rating: **12 V DC** • Measurement: Ø24 x 320 mm • Connection cable with plug
  - Nominal torque: 2 x 0.6 Nm • Rated speed: 34 min<sup>-1</sup> / 30 min<sup>-1</sup> • Power capacity: 8 W / 28 W
  - Max. power consumption: 0.63 A / 2.28 A • Operating temperature: 0 bis +40 °C
  - Type of protection: IP20.

**Upper rail**

- **Width:** 27 mm
- **Height:** 34,5 mm

**Bottom rail/  
Center profile  
Fixing profile**

- **Width:** 22 mm
- **Height:** 16 mm
- **Width:** 20 mm
- **Height:** 13 mm
- Aluminium extruded (Al Mg Si 0.5 F22)
- Hole punch (Ø6.0 mm) equipped with abrasion-resistant plastic cord lugs

**Colours**

- **Profile rail:** Technically anodized in accordance with E6/EV1 in silver, black (E6-C35) and bronze (E6-C32) or powder-coated in white (RAL 9016), beige (RAL 1015) and dark grey (DB 703)
- Visible **plastic parts** adapted to the profile colours in grey, black, bronze, white, beige or dark grey

**Fabric**

- Pleated fabric hangings • 20 mm pleat width • visible drilled hole (Ø3.5 mm) for cord guiding
- Honeycomb fabrics • 25 mm width • invisible drilled hole (Ø3.5 mm) for cord guiding
- Distance between the cords 0.28 or 0.90 m (dependent on the fabric)

**Mounting**

- **Fixing of the upper profile and fixing profile:**  
Screw the fixing bracket (V2A) directly into the window frame or glass strip (DIN 7981 Ø3.9 x 16 mm) or screw the fixing angle (with clip) onto the window frame (DIN 7982 Ø3.9 x 13 mm).

**Cord guiding:**

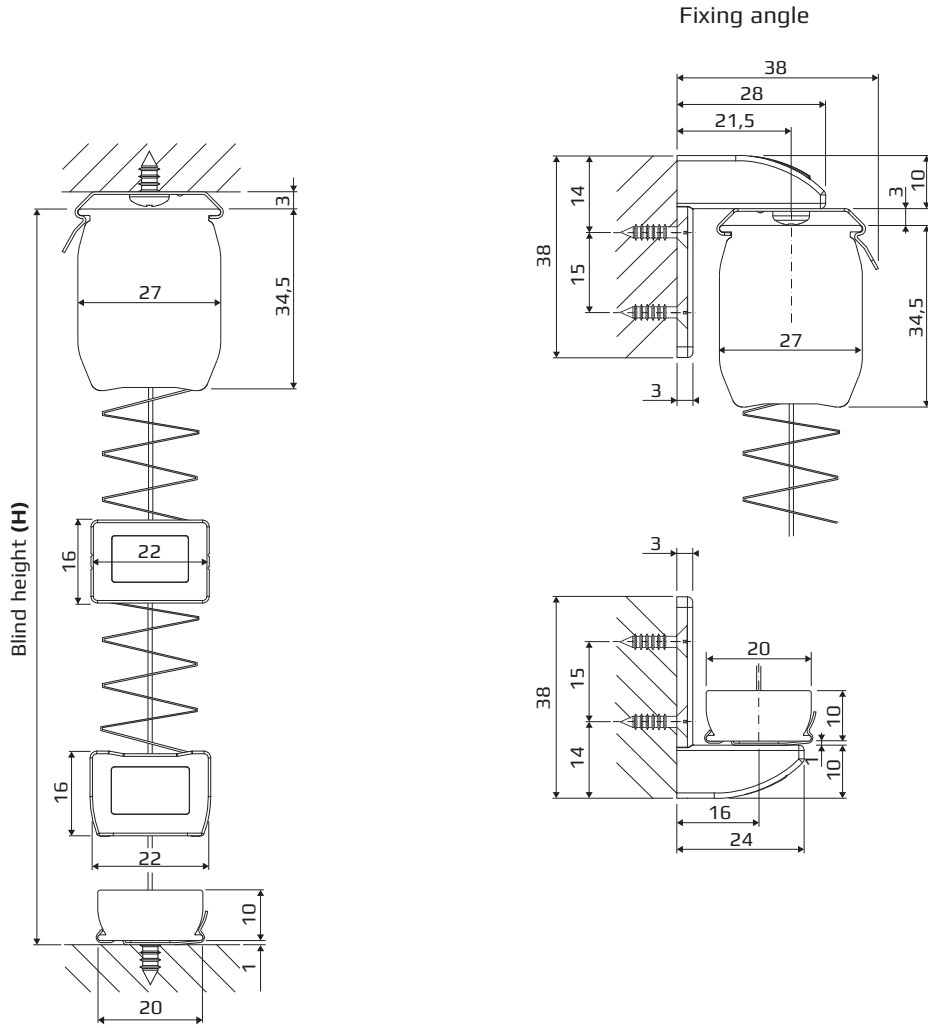
- Even if the window is tilted, the hangings run between two ropes (Ø1.2 mm polyester yarn with kevlar core, 16 cords) parallel to the casement.

# Type P1922 - TDBU (top down bottom up Motor)

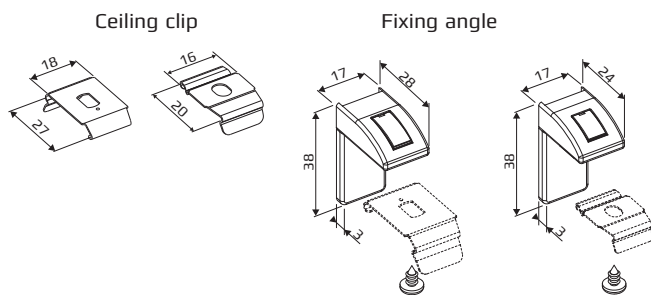
## Dimensions and Options



### Fixing



### Accessories





Benthin GmbH  
Osterstader Str. 16  
D-27572 Bremerhaven  
T +49 471 79 84 0  
F +49 471 79 84 111  
info@benthin.com

Benthin  
Pondwood House  
Pondwood Close  
Moulton Park Ind. Estate  
Northampton NN3 6RT  
T +44 1604 490580  
F +44 1604 648446  
info-uk@benthin.com

Benthin Systèmes E.U.R.L  
27, Avenue de Montboulon  
FR-77165 St. Souplets  
T +33 1 60 61 56 56  
F +33 1 60 01 57 11  
info@benthin.fr

[www.benthin.com](http://www.benthin.com)